



**ECONOAIR
3000R/3000E/3000S/1000C
GAS FIRED AIR HEATERS**

TECHNICAL
DATA

STOKVIS ENERGY SYSTEMS
96R WALTON ROAD
EAST MOLESEY
SURREY
KT8 0DL
TEL: 020 8783 3050 / 08707 707 747
FAX: 020 8783 3051 / 08707 707 767
E-MAIL: info@stokvisboilers.com
WEBSITE: www.stokvisboilers.com

3000R-E-S 1000C

ECONO-AIR 3000R SERIES

The latest technological advances by Econo-Air have produced the most efficient solution for many heating and ventilation problems. This advanced system incorporates an additional feature - a patent protected, fully modulating, automatic recirculation and variable mixing system providing optimum performance and energy savings.

During the heating period a full eighty percent recirculation is available. The controls continually monitor the heated space and adjust the variable mixing system to provide the exact quantity of outside air, depending on the usage and operation of external building openings.

Considerable energy savings are provided over conventional systems, with the added advantage of continuous building ventilation during the heating season and 'free cooling' during the warmer summer months.

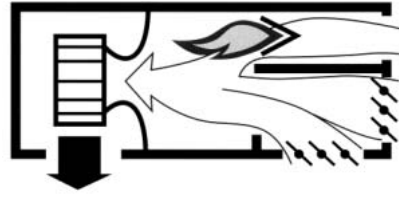
The *Econo-Air 3000R* series incorporates the latest advancement in direct fired warm air heating. The included temperature controls are fully modulating, controlled by the latest 'RAPIDNET' microprocessor technology. With the combination of a high efficiency burner, intelligent controls and slight building pressure, we ensure that extremely close temperature distribution is achieved throughout the heated area.

Some of the many applications of this extremely versatile system include:

- Make up air requirements where general or process extract ventilation is present. Designs ensure all the building process or general extracts operate to maximum efficiency while still maintaining a positive building pressure.
- Buildings that have varying extract loads especially benefit from the 3000R series, which automatically and continually balances the air input, maintaining excellent temperature distribution right up to external openings.
- Warehouses and loading areas which have a number of roller doors. The 3000R series ensures comfort levels are maintained right up to each access point.
- Gymnasiums, sports halls and areas with varying occupancy levels inside detectors may be used to minimise the ventilation rate until the moment of occupancy.
- Any area where high efficiency general heating is required.

Key advantages for selection from the Econo-Air 3000R range include:

- Optimum energy usage.
- High efficiency burner and controls.
- Minimal effect from draughts during external door opening.



- Immediate response to internal temperature drop caused by external influences.
- Continuous building ventilation providing 'Indoor Air Quality'.
- Range of add on options to extend the system flexibility.

Available standard accessories include:

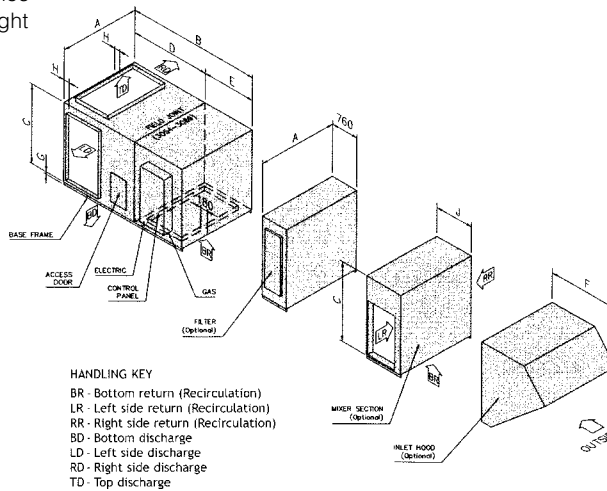
- Filter section to meet customer's specification.
- Outlet distribution heads-two, three or four way.
- Full weather protection for external units.
- Support legs for vertical units.
- Inlet hoods for horizontal units.
- Inlet and outlet attenuation.
- Variable speed drives.
- Inlet and outlet ductwork to suit site requirements.
- Mix section for side recirculation.
- Cooling section (mechanical/evaporative).

An individual Installation, Operating and Maintenance manual is supplied with each unit, incorporating complete details, comprehensive start up/commissioning and servicing instructions, backed by a fully detailed fault finding chart and spares holding.

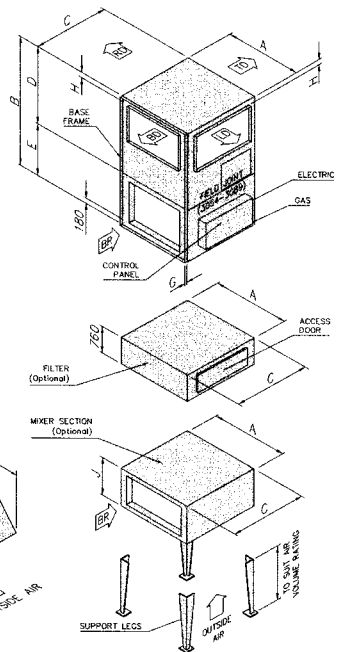
WORLD WIDE PATENTS

United States	4429679
Canada	1189840
Fed. Rep. Germany	3236343
Great Britain	GB 2119082B GB 2158571B

3000R SERIES HORIZONTAL



3000R SERIES VERTICAL



Model	Volume Range m/sec	Max Output kW	A	B	C	D	E	F	G	H	J	Discharge Size	Return Duct Size	Aprox. Weight Kg		
														Burner Section	Fan Section	Filter Section
3024R	2.3/4.3	292	1016	2770	1016	N/A	N/A	1078	50	76	789	734 x 506	734 x 506	636	636	145
3036R	5.9/9.4	657	1474	3052	1474	N/A	N/A	1429	50	82	992	1154 x 654	1154 x 654	1000	1000	211
3040R	7.0/11.8	878	1600	3306	1600	N/A	N/A	1526	75	80	992	1194 x 699	1194 x 699	1114	1114	239
3044R	9.4/14.1	1024	1754	3480	1754	N/A	N/A	1644	75	152	1043	1420 x 699	1420 x 699	1409	1409	273
3049R	10.6/16.5	1170	1930	3560	1930	N/A	N/A	1779	75	102	1119	1598 x 758	1598 x 758	1586	1586	291
3054R	14.1/21.2	1462	2160	3657	2160	2186	1471	1955	75	103	1170	1826 x 804	1826 x 804	955	955	311
3060R	14.1/23.6	1608	2392	3915	2392	2288	1627	2132	75	149	1246	1826 x 914	1826 x 914	1136	1136	346
3066R	16.5/30.7	2190	2646	4018	2441	2396	1622	2170	75	158	1119	2164 x 914	2164 x 914	1272	1250	398
3073R	18.8/37.7	2480	2849	4214	2441	2510	1704	2170	75	169	1729	2640 x 1210	2640 x 1210	1545	1340	511
3080R	23.6/47.2	3060	3331	4347	2844	1907	2440	2479	100	158	1856	2944 x 1268	2944 x 1268	1818	2160	636
3089R	26.0/47.2	3060	3326	4499	2844	2059	2440	2479	100	154	1856	2944 x 1268	2944 x 1268	1955	2385	636

All dimensions are in mm and subject to change without notice. Do not use for construction unless certified.

ECONO-AIR 3000E SERIES

Heating, Ventilation, Emergency Smoke and Exhaust Systems

Technological advances to meet market demands have now seen the development of a complete heating and ventilation system. The 3000E system has all the benefits of the *Econo-Air* range but with the added bonus of extending to either an Emergency Building Smoke Extract system, or General Building Exhaust System to meet the building requirements.

Each 3000E system is designed with occupancy comfort and safety in mind. Smoke is a major hazard while trying to escape from a burning building. The 3000E model will automatically change over the dampers from supply to extract so that the smoke is drawn from the building, reducing the density and providing additional precious time for the occupants to escape.

Additionally, we provide either spot or general extract from the building, eliminating the need for any general roof extract fans. In the ventilation mode, this is a highly effective means of maintaining *Indoor Air Quality* by removing pollutants from spillages, high temperatures and airborne contamination.

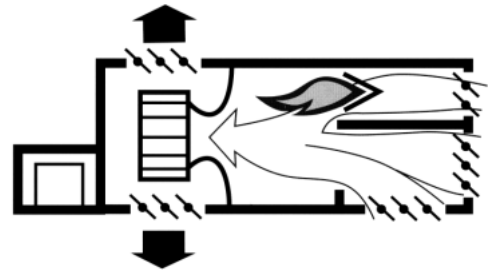
This system incorporates the latest advancement in direct fired warm air heating. The included temperature controls are *fully modulating*, controlled by the latest *RAPIDNET* microprocessor technology. The combination of a high efficiency burner, intelligent controls and slight building pressure ensures extremely close temperature distribution is achieved throughout the heated area.

Our *patent protected*, fully modulating, automatic recirculation and variable mixing system provide *optimum* performance and *energy savings*. During the heating period, a full eighty percent recirculation is available. The controls continually monitor the heated space and adjust the variable mixing system to provide the exact quantity of outside air, depending on the usage and operation of external building openings.

Considerable energy savings are provided over conventional heating systems, with the added advantage of continuous building ventilation during the heating season and **'free cooling'** during the warmer summer months.

Some of the many applications that would benefit from the additional advantage of Emergency Smoke and/or Exhaust Ventilation include:

- Factories with little or no existing smoke or general extract system.
- Warehouses with large quantities of combustible products.
- Production areas where there are high process heat gains.
- Exhibition halls, concert halls, areas with high occupancy.
- Garages, bus depots, etc., where exhaust fumes could become a hazard.
- Any area where general heating and extraction may be required



Key advantages are the same as the *Econo-Air 3000R* with the additional selection from the *Econo-Air 3000E* range include:

- Emergency smoke extract system.
- Externally mounted drive motor.

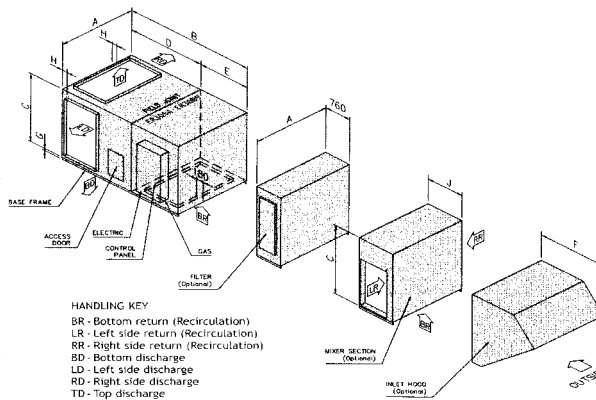
Available standard accessories in addition to the *Econo-Air 3000R* include:

- Automatic smoke or summer ventilation mode.

Econo-Air 3000E systems have been successfully applied in buildings with multiple floors by using ductwork and floor smoke evacuation ducts. Designs for smoke extraction are carried out in accordance with BS5588, Fire Precautions in the Design Construction and use of Buildings.

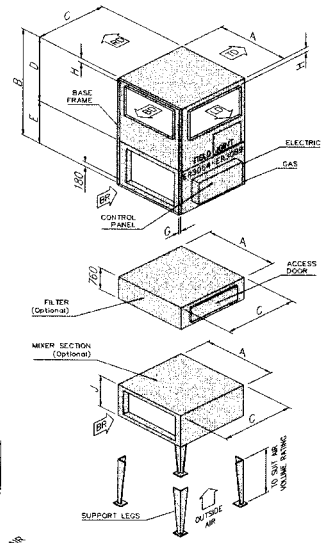
An individual Installation, Operating and Maintenance manual is supplied with each unit, incorporating complete details, comprehensive start up/commissioning and servicing instructions, backed by a fully detailed fault finding chart and spares holding.

3000E SERIES HORIZONTAL



- HANDLING KEY**
- BR - Bottom return (Recirculation)
 - LR - Left side return (Recirculation)
 - RR - Right side return (Recirculation)
 - BD - Bottom discharge
 - LD - Left side discharge
 - RD - Right side discharge
 - TD - Top discharge

3000E SERIES VERTICAL



- HANDLING KEY**
- BR - Bottom return (Recirculation)
 - LR - Left side return (Recirculation)
 - RR - Right side return (Recirculation)
 - BD - Bottom discharge
 - LD - Left side discharge
 - RD - Right side discharge
 - TD - Top discharge

Model	Volume Range m/sec	Max Output kW	A	B	C	D	E	F	G	H	J	Discharge Size	Return Duct Size	Approx. Weight Kg		
														Burner Section	Fan Section	Filter Section
3024E	2.3/4.3	292	1016	2770	1016	N/A	N/A	1078	50	76	789	734 x 506	734 x 506	636	636	145
3036E	5.9/9.4	657	1474	3052	1474	N/A	N/A	1429	50	82	992	1154 x 654	1154 x 654	1000	1000	211
3040E	7.0/11.8	878	1600	3306	1600	N/A	N/A	1526	75	80	992	1194 x 699	1194 x 699	1114	1114	239
3044E	9.4/14.1	1024	1754	3480	1754	N/A	N/A	1644	75	152	1043	1420 x 699	1420 x 699	1409	1409	273
3049E	10.6/16.5	1170	1930	3560	1930	N/A	N/A	1779	75	102	1119	1598 x 758	1598 x 758	1586	1586	291
3054E	14.1/21.2	1462	2160	3657	2160	2186	1471	1955	75	103	1170	1826 x 804	1826 x 804	955	955	311
3060E	14.1/23.6	1608	2392	3915	2392	2288	1627	2132	75	149	1246	1826 x 914	1826 x 914	1136	1136	346
3066E	16.5/30.7	2190	2646	4018	2441	2396	1622	2170	75	158	1119	2164 x 914	2164 x 914	1272	1250	398
3073E	18.8/37.7	2480	2849	4214	2441	2510	1704	2170	75	169	1729	2640 x 1210	2640 x 1210	1545	1340	511
3080E	23.6/47.2	3060	3331	4347	2844	1907	2440	2479	100	158	1856	2944 x 1268	2944 x 1268	1818	2160	636
3089E	26.0/47.2	3060	3326	4499	2844	2059	2440	2479	100	154	1856	2944 x 1268	2944 x 1268	1955	2385	636

All dimensions are in mm and subject to change without notice. Do not use for construction unless certified.

ECONO-AIR 3000S SERIES

Providing High Performance and Efficiency

All units within this range operate on full outside air and are designed to provide the optimum level of ventilation to meet the building's needs. Internal influences such as process, lighting, occupancy heat gain and building exhaust systems are some of the factors which influence the design criteria.

The 3000S range incorporates the latest advancement in direct-fired warm air heating. The included temperature controls are fully *modulating*, controlled by the latest 'RAPIDNET' microprocessor technology. The combination of a high efficiency burner, intelligent controls and slight building pressure ensures extremely close temperature distribution is achieved throughout the heated area.

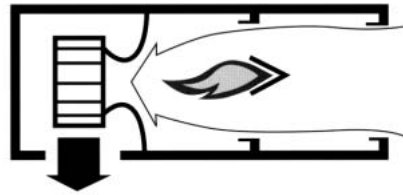
Considerable energy savings are provided over conventional systems with the added advantage of continuous building ventilation during the heating season and 'free cooling' during the warmer summer months.

Some of the many applications of this versatile system include:

- Make up air requirements where general or process extract ventilation is present. System designs ensure all exhaust systems operate to maximum efficiency while still maintaining a positive building pressure.
- Garages, bus depots, loading bays etc. Continuous ventilation assists in achieving *Indoor Air Quality* and minimises the requirement of a separate building ventilation system.
- Heavy industrial areas where air pollution is normally present.
- Cinemas, nightclubs, etc.
- Swimming pools, where ventilation is paramount. Additional features may be included in this instance to improve the overall system efficiency even further.
- Any area where general heating is required.

Key advantages for selection from the Econo-Air 3000S range include:

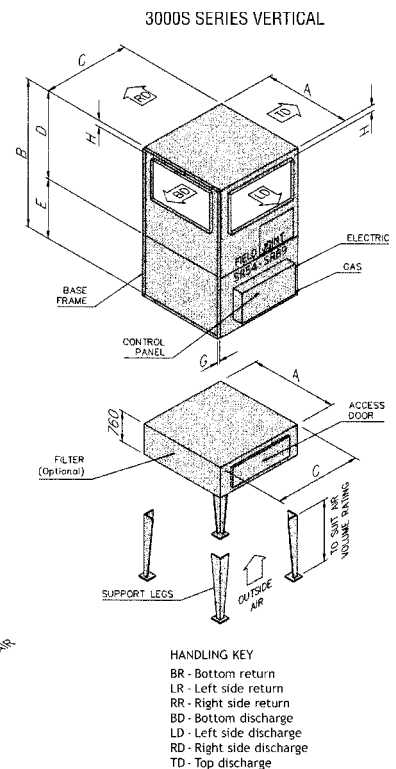
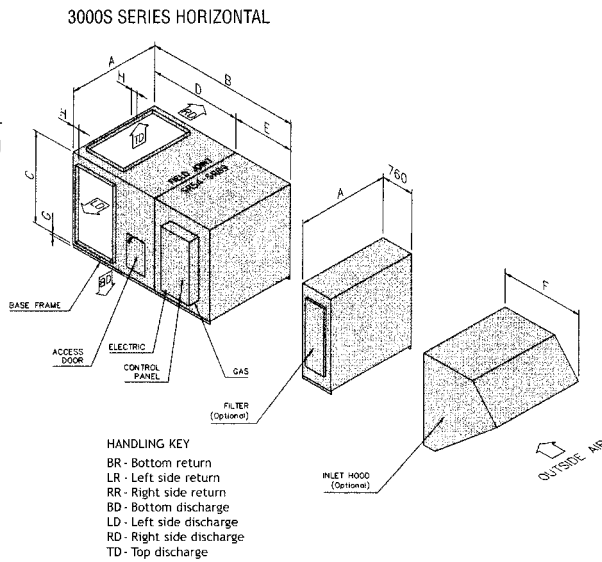
- Optimum energy usage.
- High efficiency burner and controls.
- Minimal effect from draughts during external door opening.
- Immediate response to internal temperature drop caused by external influences.
- Continuous building ventilation providing *indoor Air Quality*.
- Range of add on options to extend the system flexibility.



Available standard accessories include:

- Filter section to meet customer's specification.
- Outlet distribution heads-two, three or four way.
- Full weather protection for external units.
- Support legs for vertical units.
- Inlet hoods for horizontal units.
- Inlet and outlet attenuation.
- Variable speed drives.
- Inlet and outlet ductwork to suit site requirements.
- Cooling section (mechanical/evaporative).

An individual Installation, Operating and Maintenance manual is supplied with each unit, incorporating complete details, comprehensive start up/commissioning and servicing instructions, backed by a fully detailed fault finding chart and spares holding.



Model	Volume Range m/sec	Max Output kW	A	B	C	D	E	F	G	H	J	Discharge Size	Return Duct Size	Aprox. Weight Kg		
														Burner Section	Fan Section	Filter Section
3024S	2.3/4.3	292	1016	2770	1016	N/A	N/A	1078	50	76	789	734 x 506	734 x 506	636	636	145
3036S	5.9/9.4	657	1474	3052	1474	N/A	N/A	1429	50	82	992	1154 x 654	1154 x 654	1000	1000	211
3040S	7.0/11.8	878	1600	3306	1600	N/A	N/A	1526	75	80	992	1194 x 699	1194 x 699	1114	1114	239
3044S	9.4/14.1	1024	1754	3480	1754	N/A	N/A	1644	75	152	1043	1420 x 699	1420 x 699	1409	1409	273
3049S	10.6/16.5	1170	1930	3560	1930	N/A	N/A	1779	75	102	1119	1598 x 758	1598 x 758	1586	1586	291
3054S	14.1/21.2	1462	2160	3657	2160	2186	1471	1955	75	103	1170	1826 x 804	1826 x 804	955	955	311
3060S	14.1/23.6	1608	2392	3915	2392	2288	1627	2132	75	149	1246	1826 x 914	1826 x 914	1136	1136	346
3066S	16.5/30.7	2190	2646	4018	2441	2396	1622	2170	75	158	1119	2164 x 914	2164 x 914	1272	1250	398
3073S	18.8/37.7	2480	2849	4214	2441	2510	1704	2170	75	169	1729	2640 x 1210	2640 x 1210	1545	1340	511
3080S	23.6/47.2	3060	3331	4347	2844	1907	2440	2479	100	158	1856	2944 x 1268	2944 x 1268	1818	2160	636
3089S	26.0/47.2	3060	3326	4499	2844	2059	2440	2479	100	154	1856	2944 x 1268	2944 x 1268	1955	2385	636

All dimensions are in mm and subject to change without notice. Do not use for construction unless certified.

ECONO-AIR 1000C SERIES

Extra Quiet Operation for Noise Sensitive Installations

This range of heaters has been especially developed for churches and installations that require low noise levels. A number of unique features are built into the system to ensure that tight noise specifications are met.

To avoid condensation in much older buildings, particularly a type with solid construction, a graduated Soft Start facility allows the building and contents to warm gently and avoid thermal shock. A fan over run facility, 'Post Purge', is designed to change the air in the building following the heating period to gently cool the fabric down.

Each heater incorporates the latest advancement in direct-fired warm air heating. The included temperature controls are *fully modulating*, controlled by the latest 'RAPIDNET' microprocessor technology.

The *Econo-Air* principle ensures extremely close temperature distribution throughout the total heated area and provides comfort levels not normally experienced in older style churches and buildings.

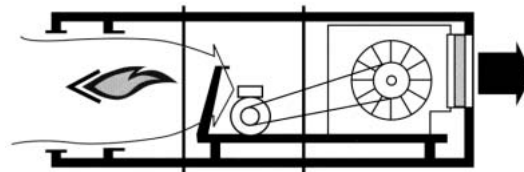
Energy savings over conventional heating systems are very evident, with the 1000C series added advantage of continuous building ventilation during the heating season and 'free cooling' during the warmer summer months.

Some of the many applications of this versatile system include:

- Churches, church halls and allied buildings (over 400 installations are now completed).
- Pubs, wine bars.
- Restaurants, cafés.
- Village halls, community centres.
- Cinemas, night clubs etc.
- Any area where general heating is required and quiet operation is preferred.

Key advantages for selection from the Econo-Air 1000C range include:

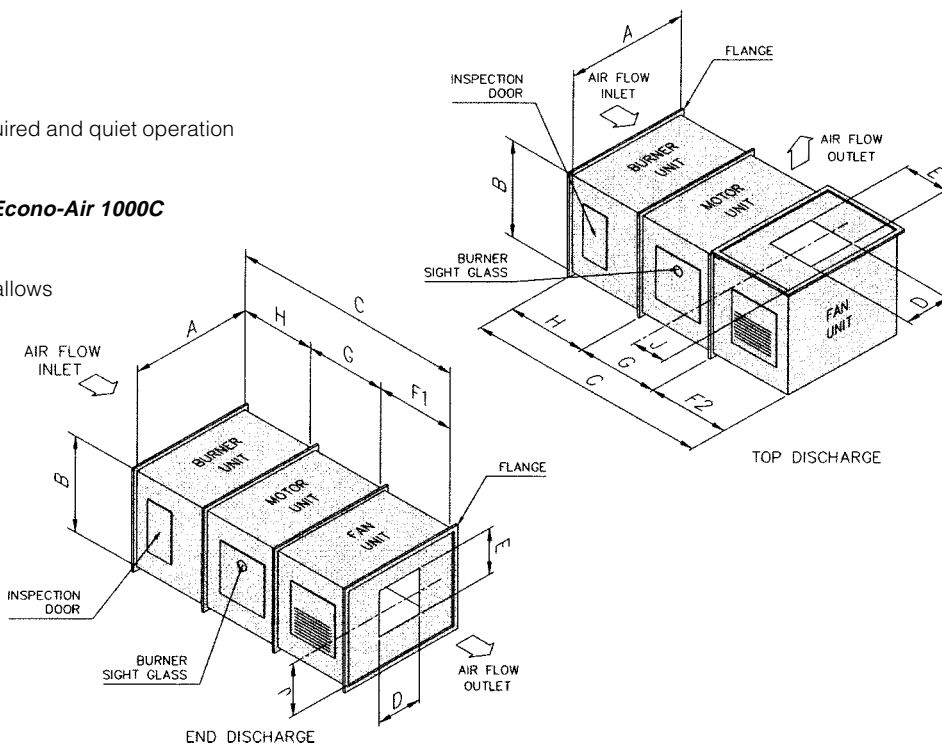
- Low operational noise levels.
- Sectional, bolt-together construction allows site locations which could not normally be considered.
- Optimum energy usage.
- High efficiency burner and controls.
- Minimal effect from draughts during external door opening.
- Immediate response to temperature drop caused by either internal or external influences.
- Continuous building ventilation providing 'Indoor Air Quality'.
- Range of add on options to extend the system flexibility.



Available standard accessories include:

- Filter section to meet customer's specification.
- Outlet grille or distribution head-two, three or four way.
- Full weather protection for external units.
- Support legs for vertical units.
- Inlet hoods for horizontal units.
- Inlet and outlet attenuation.
- Variable speed drives.
- Inlet and outlet ductwork to suit site requirements.
- Cooling section (mechanical/evaporative).

An individual Installation, Operating and Maintenance manual is supplied with each unit, incorporating complete details, comprehensive start up/commissioning and servicing instructions, backed by a fully detailed fault finding chart and spares holding.



Model	Volume Range m/sec	Max Output kW	A	B	C	D	E	F1	F2	G	H	J	Flange	Weight kg
1100C	0.50-1.00	29.50	600	600	1875	255	255	750	750	500	625	345	30	250
1200C	1.00-2.00	59.00	700	700	2000	320	320	750	750	625	625	400	30	350
1250C	1.00-2.50	73.50	900	700	2000	360	360	750	750	625	625	440	30	350
1280C	1.50-3.00	100	950	750	2000	400	400	750	800	625	625	480	30	350
1355C	2.00-3.50	180	1100	900	2150	505	505	900	950	625	625	585	30	400
1500C	3.50-6.50	290	1400	1250	2800	715	715	1200	1200	975	625	780	30	520
1560C	4.00-8.50	440	1500	1400	2850	800	800	1250	1200	975	625	860	30	570
1630C	5.00-10.00	580	1700	1500	3325	900	900	1450	1500	1250	625	950	40	810
1710C	6.00-12.50	650	1800	1650	3375	1005	1005	1500	1600	1250	800	1070	50	920
1800C	8.00-13.50	735	1800	1650	3375	1130	1130	1500	1600	1250	800	1185	50	960

All dimensions are in mm and subject to change without notice. Do not use for construction unless certified.