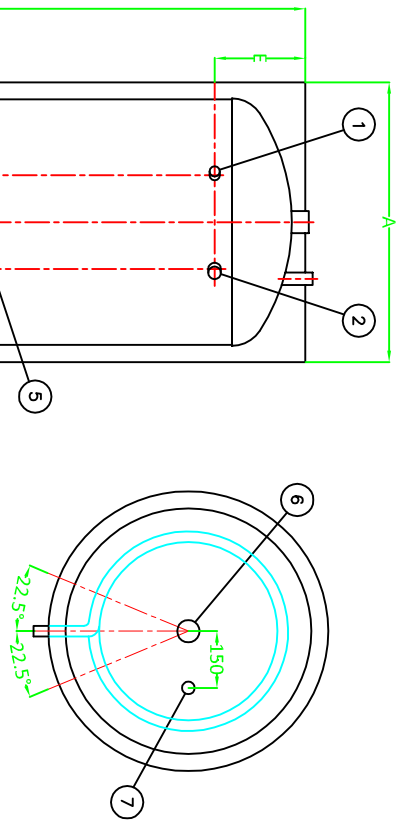


- ITEM NO. DESCRIPTION:**
- 1 AUXILIARY PORT
  - 2 DE-STRATIFICATION/SECONDARY RETURN
  - 3 DE-STRATIFICATION
  - 4 INLET
  - 5 IMMERSION HEATER (NOT FITTED UNLESS REQUESTED BY CLIENT)
  - 6 OUTLET
  - 7 TEMPERATURE & PRESSURE RELIEF
  - 8 PRIMARY COIL CONNECTION
  - 9 SOLAR SENSOR POCKET



OPTIONAL PARTS (PLEASE SPECIFY)	SIZE	QTY.	REQ'D
T & P VALVE	3/4" BSP, 7 BAR, 90 DEG. C	1	fitted
TUNDISH	22MM x 28MM		
PRESSURE REDUCING VALVE	SIZE TO SUIT ITEM 4 (INLET)		
SAFETY RELIEF VALVE	SIZE TO SUIT ITEM 4 (INLET)		
EXPANSION VESSEL	SIZE TO SUIT 65°C MAX TEMP		
THERMOMETER	1/2" BSP		
IMMERSION HEATER	2 1/4" BSP		

NOTE - pressure drop in coil does not exceed 0.3bar at a flow rate of 20 l/min

VESSEL VOLUME (L)	MAX WORKING PRESSURE (BAR)	DIMENSIONS (mm)									CONNECTION SIZES (FEMALE BSP THREAD OR STUB)	PRIMARY DN25 COIL SURFACE AREA (M <sup>2</sup> )	APPROX. UNLADEN WEIGHT (KG)			
		A	B	C	D	E	1	2	3	4				5	6	7
400	6	750	1430	286	315	244	1/2"	3/8"	1"	2 1/2"	1"	3/8"	028	1/2"	1.5	100
500	6	750	1715	286	405	244	1/2"	3/4"	1"	2 1/4"	1"	3/4"	028	1/2"	2	110
575	6	750	1930	286	405	244	1/2"	3/4"	1"	2 1/4"	1"	3/4"	028	1/2"	2	120
680	6	750	2250	286	495	244	1/2"	3/4"	1"	2 1/4"	1"	3/4"	028	1/2"	2.5	130
810	6	990	1550	347	405	293	1/2"	3/4"	1 1/2"	2 1/4"	1 1/2"	3/4"	028	1/2"	3	160
840	6	750	2745	286	585	244	1/2"	3/4"	1 1/2"	2 1/4"	1 1/2"	3/4"	028	1/2"	3	160
965	6	990	1800	347	450	293	1/2"	3/4"	1 1/2"	2 1/4"	1 1/2"	3/4"	028	1/2"	3.5	175
1125	6	990	2040	347	540	293	1/2"	3/4"	1 1/2"	2 1/4"	1 1/2"	3/4"	1"	1/2"	4 (2x2)	195
1360	6	1090	2065	360	315	305	1/2"	3/4"	1 1/2"	2 1/4"	1 1/2"	3/4"	1 1/2"	1/2"	5 (2x2.5)	245
1775	6	1090	2550	360	315	305	1/2"	3/4"	1 1/2"	2 1/4"	1 1/2"	3/4"	1 1/2"	1/2"	6 (3x2)	285
1875	6	1290	2000	469	360	315	1/2"	3/4"	2"	2 1/4"	2"	3/4"	1 1/2"	1/2"	6 (3x2)	290
2155	6	1290	2280	469	405	413	1/2"	3/4"	2"	2 1/4"	2"	3/4"	1 1/2"	1/2"	8 (4x2)	320
2500	6	1290	2550	469	405	413	1/2"	3/4"	2"	2 1/4"	2"	3/4"	2"	1/2"	8 (4x2)	365
3000	6	1290	2960	469	450	413	1/2"	3/4"	2"	2 1/4"	2"	3/4"	2"	1/2"	10 (4x2.5)	425

**GENERAL NOTES:**

SIDE VIEW TO BE USED IN CONJUNCTION WITH PLAN VIEW.

**CONSTRUCTION:**  
 INNER VESSEL MATERIAL: LDX 2101  
 OUTER CLADDING MATERIAL: PLASTISOL (WHITE)  
 UNIT THERMALLY INSULATED WITH POLYURETHANE CONNECTIONS: LDX 2101

CONNECTION BOSSES TO PROJECT APPROX 5MM FROM CLADDING.  
 T & P VALVE, THERMOMETER & DRAIN BOSSES TO BE BS21 TAPER FEMALE THREADS.  
 SHELLS & ENDS DESIGNED TO GOOD ENGINEERING PRACTICE.

**DESIGN LIMITATIONS:**  
 MAX WORKING PRESSURE: VARIES - SEE TABLE ON RIGHT  
 DESIGN TEMPERATURE: 100°C  
 HYDRAULIC TEST PRESSURE: 9 BAR

**B** COIL IN 1125LTR CHANGED TO MANIFOLDED WITH 1" CONNECTIONS, 1/2" SOLAR SENSOR ADDED.

ISSUED TO:	DC	DATE:	19-12-13
MATERIAL:	DC	CHECKED BY:	18-11-13
ITEM:	QTY REQD:	DRAWN BY:	DATE:
TOLERANCES:		2 DECIMAL PLACES - ±0.1	
1 DECIMAL PLACE - ±0.3		ANGLES - ±0.5°	

TITLE: SINGLE COIL RANGE (STOKVIS BOILERS)

**STOKVIS ENERGY SYSTEMS**

DRG NO: WI-3886 SHEET: .

09/04/2014 12:17:52