



Buffer Vessel

Stainless Steel Buffer Vessel
Sales Brochure

Designed to provide maximum energy storage capacity, with over dimensioned rigid, mould injected Polyurethane thermal insulation, these models maintain the DHW storage temperature for a long time without the need for any additional energy input, affording users continued savings throughout the storage tank's service life.

STORAGE TANKS: Designed to provide an extraordinary storage capacity that translates into real savings.

LONG-LASTING PRODUCT: Nickel-chromium-molybdenum Stainless Steel DHW storage tank, highly resistant to pitting caused by halogen elements such as chlorine in drinking water.

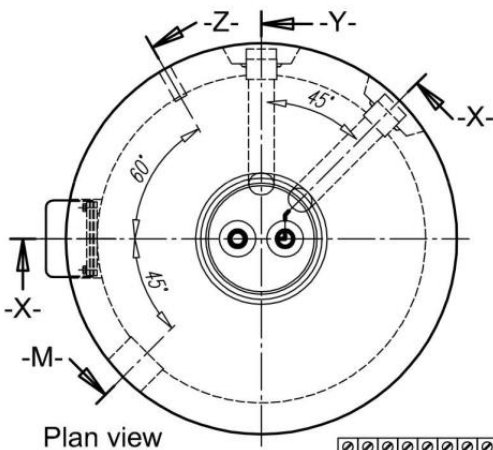
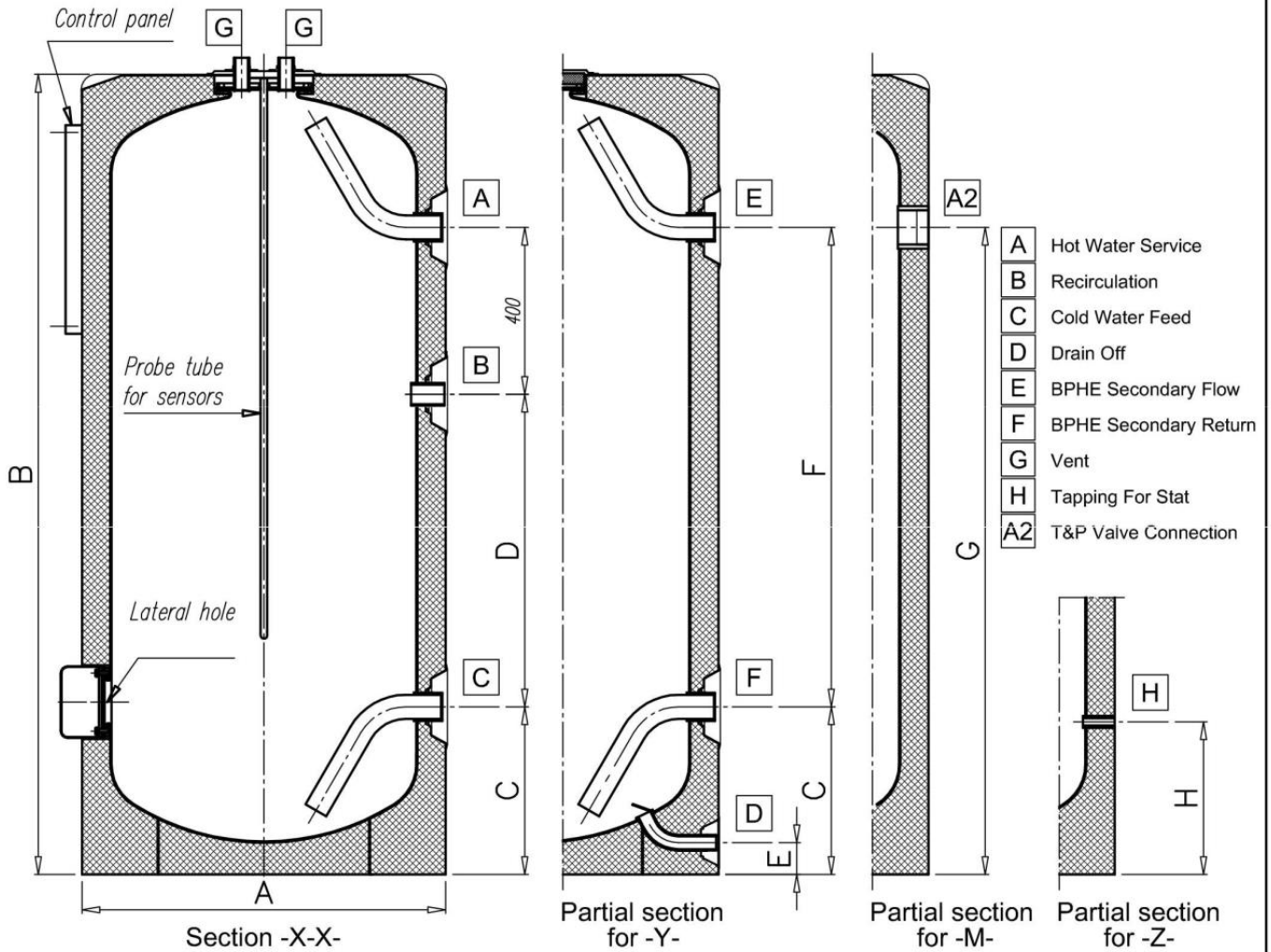
EASY TO MAINTAIN: With access to tank interior through side and top holes, for inspection and cleaning.

OPTIMUM EFFICIENCY: 60-80mm, rigid, PU mould-injected insulation that minimises heat losses of stored DHW.



SPECIFICATION

- Capacities 300, 500, 800 and 1000 litre.
- AISI 316 L Stainless Steel.
- Thermal insulation rigid, mould injected Polyurethane foam CFC & HCFC free.
- PVC white zipped external cover.
- Control Panel including Thermometer, Control and Safety Thermostats and Lamps.
- Maximum working pressure 8 bar.
- Maximum working temperature 90°C.
- Suitable for mains or boosted cold water.
- Unvented Kits available.
- Optional Electrical Immersion Heater.
- WRAS listed non metallic components.
- ErP Efficiency Class B for 300, 500 and 800 litre.
- ErP Efficiency Class C for 1000 litre.



* Material: AISI 316
chemically descaled and passivated

* Max. working pressure: 8 bar

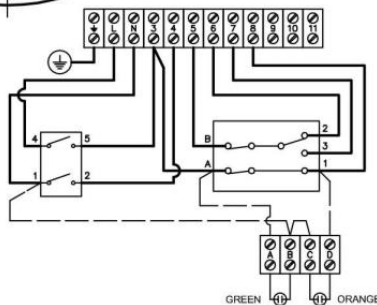
* Max. temperature pressure: 90° C

* Thermally insulated:
Polyurethane with C.F.C.-free

* Equipments:

- External lining
- Top cover
- Lateral hole with cover
- Control panel with thermometer and regulating and safety thermostat

MODEL	male A	male B	male C	male D	male E	male F	male G	female H	female A2	Capacity (liters)	Weight (Kg.)
200	2"	1-1/2"	2"	1"	2"	2"	1"	1/2"	2-1/2"	195	51
300	2"	1-1/2"	2"	1"	2"	2"	1"	1/2"	2-1/2"	287	60
500	2"	1-1/2"	2"	1"	2"	2"	1"	1/2"	2-1/2"	480	91
800	2"	1-1/2"	2"	1-1/4"	2"	2"	1"	1/2"	2-1/2"	792	134
1000	2"	1-1/2"	2"	1-1/4"	2"	2"	1"	1/2"	2-1/2"	990	157



MODEL	A	B	C	D	E	F	G	H
200		1205		220				620
300	Ø 620	1685	308	707	70 ±5			1107
500	Ø 770	1690	355	616				1016
800		1840		740				1140
1000	Ø 950	2250	332	1150	100			1550



Stokvis Energy Systems
Tom Dando Close
Normanton, WF6 1TP, UK

Phone: +44 (0)20 8783 3050
Email: sales@stokvisboilers.com
www.stokvisboilers.com